

# Shelly<sup>®</sup> 1 open source



USE THE POWER OF MONGOOSE OS TO MAKE YOUR OWN APPLICATION



MAKE YOUR ARDUINO PROJECT LIVE AND USABLE IN YOUR AUTOMATION PROJECT



SHARE YOUR EXPERIENCE WITH DEVELOPERS OVER THE WORLD



USE OUR REST API TO CONNECT SHELLY 1 OS WITH YOUR EXISTING HOME AUTOMATION SYSTEM

{ REST }



### Mobile App Control

Turn appliances on/off directly from your smartphone or tablet.



### Wi-Fi Connected

Simply connect Shelly to your Wi-Fi network and begin the ultimate experience by controlling your home with your phone.



### Home assistant compatible

Control your appliance with your voice. Shelly 1 OS is Google home and Amazon Echo compatible.



### Weekly Scheduling

Create custom daily schedules for your devices.



### Following the Sunlight

Shelly 1 OS can automatically turn on/off based on the sunrise and sunset hours.



### Up To 3500W

With Shelly 1 OS you can control a wide range of devices and appliances.



### Free Cloud

All you need to manage your Shelly 1 OS is a smartphone and the Shelly Cloud free mobile application



### Countdown timer

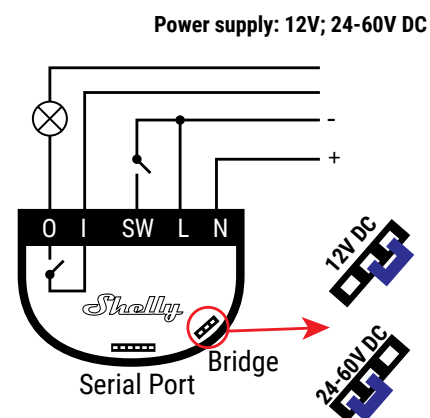
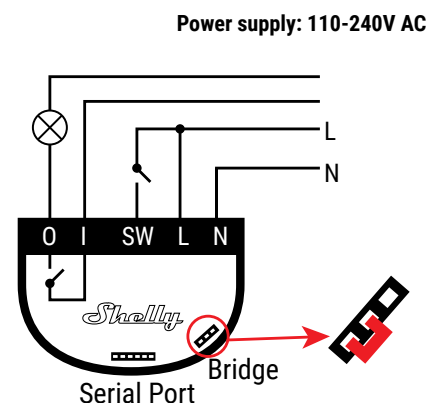
No more forgotten turned on appliances. The integrated countdown timer can automatically switch off your oven after an hour.

# THE SMALLEST, SMARTEST & THE MOST POWERFUL WI-FI SWITCH FOR YOUR AUTOMATION SOLUTION

The **Wi-Fi Relay Switch Shelly 1 OS** is intended to be mounted into a standard in-wall console, behind power sockets and light switches in order to control the electric power through it.

## TECHNICAL SPECIFICATIONS

<b>Power supply</b>	<ul style="list-style-type: none"> <li>• 110-240V <math>\pm 10\%</math> 50/60Hz AC</li> <li>• 24-60V DC</li> <li>• 12V DC</li> </ul>
<b>Max load per channel</b>	16A
<b>Complies with EU standards:</b>	<ul style="list-style-type: none"> <li>• RE Directive 2014/53/EU</li> <li>• LVD 2014/35/EU</li> <li>• EMC 2004/108/WE</li> <li>• RoHS2 2011/65/UE</li> </ul>
<b>Working temperature</b>	-40°C ÷ 40°C
<b>Radio signal power:</b>	1mW
<b>Wireless/WiFi Protocol</b>	802.11 b/g/n (2.4 GHz)
<b>Frequency:</b>	2400 – 2500 MHz
<b>Operational range (depending on local construction):</b>	<ul style="list-style-type: none"> <li>• up to 50 m outdoors</li> <li>• up to 30 m indoors</li> </ul>
<b>Dimensions (HxWxL):</b>	41 x 36 x 17 mm
<b>Electrical consumption:</b>	< 1 W



### LEGEND:

N - Neutral input (Zero)/(+)  
 L - Line input (110-230V)/(-)  
 O - Output  
 I - Input  
 SW - Switch (input) controlling O

The WiFi Relay Switch Shelly 1 may control an electrical circuit up to 3.5 kW. It is intended to be mounted into a standard in-wall console, behind power sockets and light switches or other places with limited space. Shelly may work as a standalone Device or as an accessory to a home automation controller.